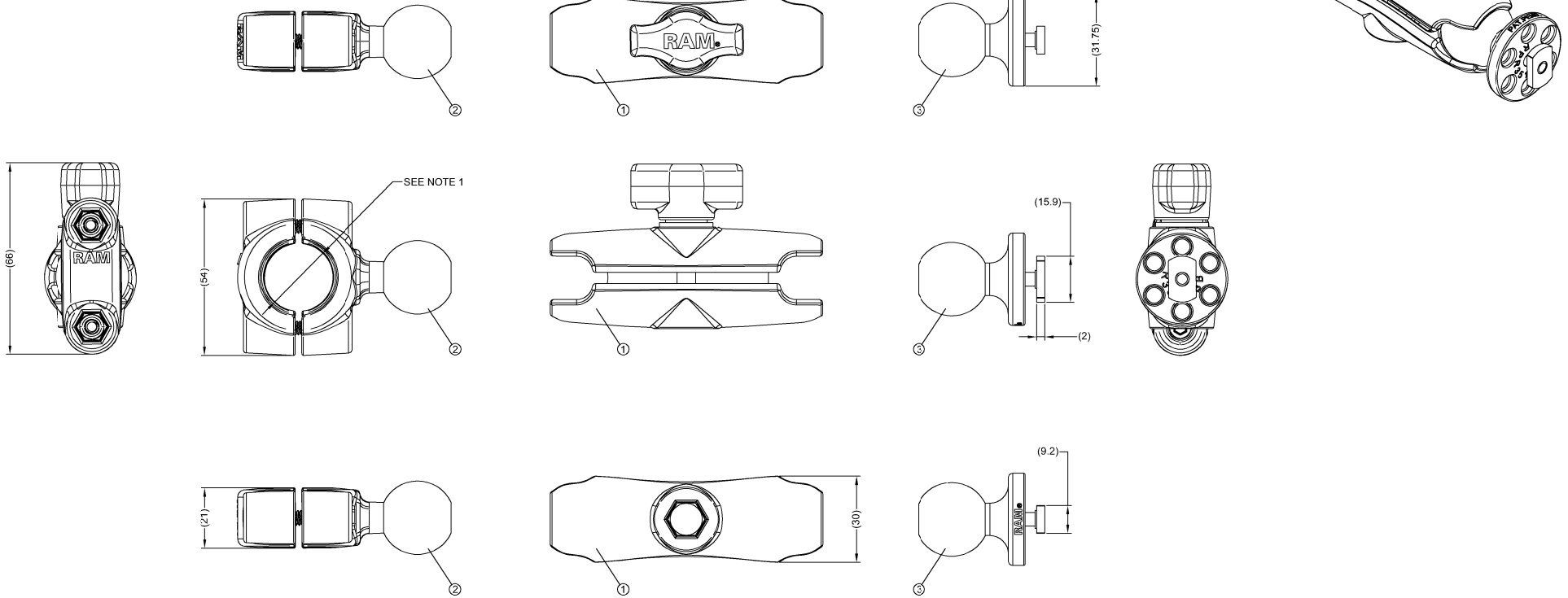


ITEM	PART NO	DESCRIPTION
①	RAM-B-201	RAM MOUNT ARM FOR 1" BALL
②	RAM-B-408-75-1	RAM MOUNT RAIL CLAMP WITH 1" BALL
③	RAP-B-375	RAM MOUNT T-SLOT ADAPTER WITH 1" BALL

Revision Notes.				
R1 -				
APA: -	Drawn:-	Checked:-	Approved:-	Date: -



- NOTES:
- SUITABLE FOR MOUNTING TO RAIL 0.75" TO 1" IN DIAMETER USING SUPPLIED SIZING INSERTS.
  - TOTAL ASSEMBLED LENGTH DIMENSION APPROXIMATELY 161MM DEPENDANT ON DIAMETER OF MOUNTING RAIL AND SIZING INSERT USED.
  - FOR PRODUCT LABEL AND PACKAGING DETAILS REFER TO MASTER BOM.
  - ANY CUSTOMER MODIFICATION OF THIS PRODUCT CAUSING SUBSEQUENT FAILURE IS NOT A LIABILITY OF BRIGADE ELECTRONICS PLC.

**PROPRIETARY NOTICE**  
 THIS DESIGN AND TECHNICAL INFORMATION APPEARING ON THIS DRAWING IS THE PROPERTY OF BRIGADE ELECTRONICS, AND IS DISCLOSED IN CONFIDENCE. IT IS NOT TO BE COPIED, REPRODUCED, REVEALED TO OR EXPROPRIATED BY OTHERS, EITHER IN WHOLE OR IN PART WITHOUT THE EXPRESS WRITTEN CONSENT OF BRIGADE ELECTRONICS.

**BRIGADE®**

Assembly Pl Approval J. PEARCE	Approved by B. CHILDS	Checked by J. TYRRELL	Released 19/11/20	Drawn by A. FOSTER
Angle of Projection 	Units mm	Scale N/A	Status RELEASED	Assembly Ref -
Third Angle	Part No 6358	RAM-B-408-75-1-BRG3 BE-004477-00-20		